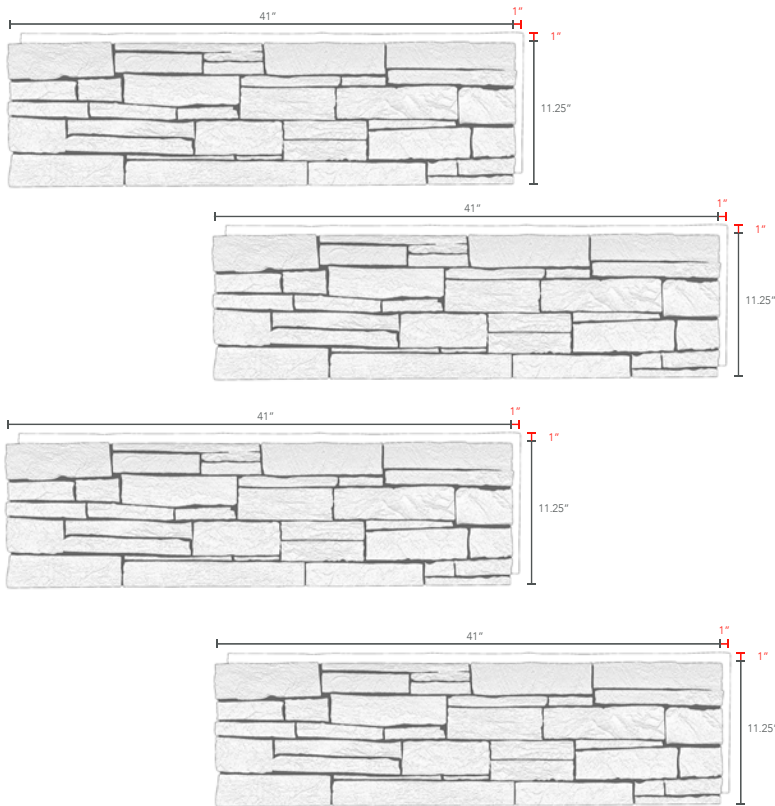


How to Measure

4' Wainscot with Ledgers

- East Wall \uparrow 4' Tall \rightarrow 25' Long
- South Wall \uparrow 4' Tall \rightarrow 40' Long



Panels

3.20 SQFT of Coverage Per Panel

- $25 \times 12 + 40 \times 12 = 780''$
- $780'' \div 41'' = 19.02$ Panels Needed
- Always round up and add 5%
- $19.02 \times 1.05 = 19.97$ or **20 Panels**

Wainscot

4 Panels Tall + Ledger = 48" Wainscot

- $19.02 \times 4 = 76.08$ Panels Needed
- Always Round Up to Be Safe!

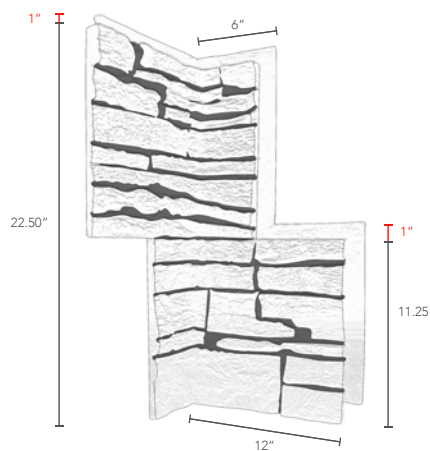
Inside and Outside Corners

You can miter the full panel or use a GenStone Inside or Outside corner to transition through a 90° corner. This project would require one outside corner.

- Each Corner Provides 18" of Width per Row
- Subtract One Full Panel for Every 3 Corners
- Corners are the Height of Two Panels Stacked

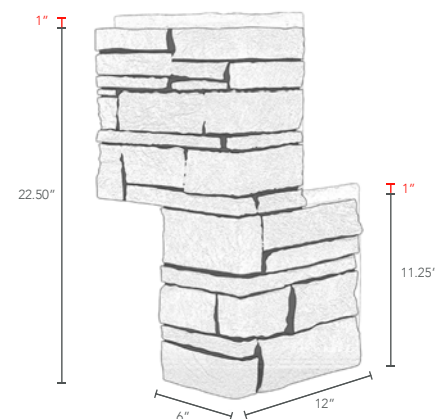
Tips for Success

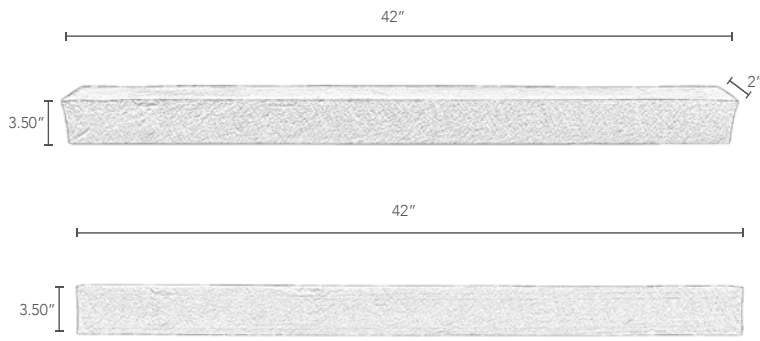
We always recommend starting from a corner and work either left or right from there. The corner panels provide the necessary offset pattern to keep seams from lining up. If you do not use corners for your project, be sure to stagger the panels as shown above.



Inside Corner Panel

Outside Corner Panel





Ledgers and Trim

Measure the Linear Feet Needed

- $25' + 40' = 65$ Linear Feet of Ledger
- $65 \times 12 = 780$ Total Inches
- $780 \div 42 = 18.57$ Ledgers Needed
- $18.57 \times 1.05 = 19.50$ or 20 Ledgers

Corner Ledgers

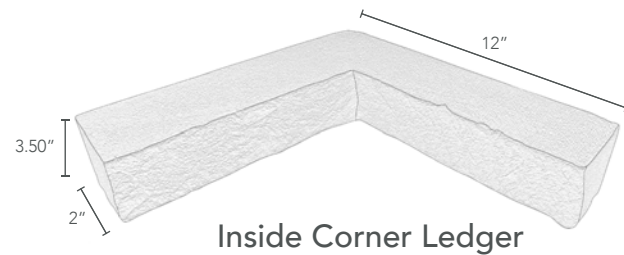
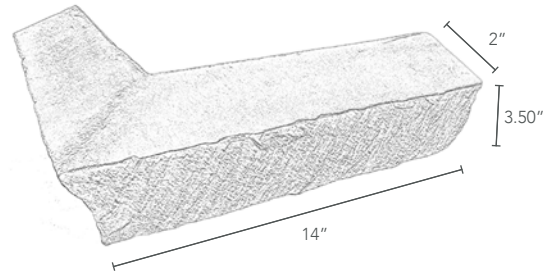
Straight ledgers feature a sloped angle away from the structure to assist with shedding moisture. This angle makes mitering a straight ledger almost impossible.

- Designed to Fit Seamlessly on Corner Panels
- Corner Ledgers Butt Up Against Straight Ledgers
- Subtract One Straight Ledger for Every 2 Corner Ledgers

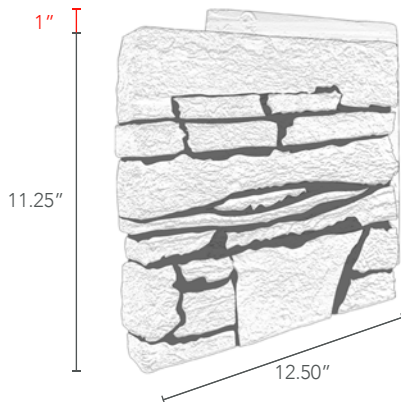
Tips for Success

If obstacles such as electrical boxes, windows, doors or hose spigots are part of your install, do not subtract these voids from your total number of panels and accessories. Most cutting mistakes are made in these areas, you may need the extra pieces.

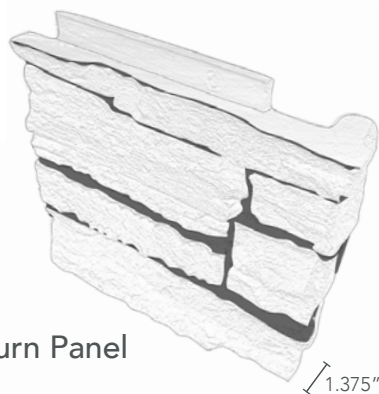
Outside Corner Ledger



Inside Corner Ledger



Left Return Panel



Right Return Panel

Right and Left Returns

12" return pieces are available for installations that require a finished edge look.

- Each Return Panel is Designed to Be Installed Alongside the Full Panel
- Plan for One Return Piece for Every One Full Panel in Height

Tips for Success

Be sure to plan on staggering the seams created when two return panels will stack on top of one another. If your installation requires cutting of a return piece, always recreate the shiplap edge.